



TIPPER SCISSORS

REAR TIPPER SCISSORS



KEY POINTS

PERFORMANCE

Reduced mounting height for increased stability

PRODUCTIVITY

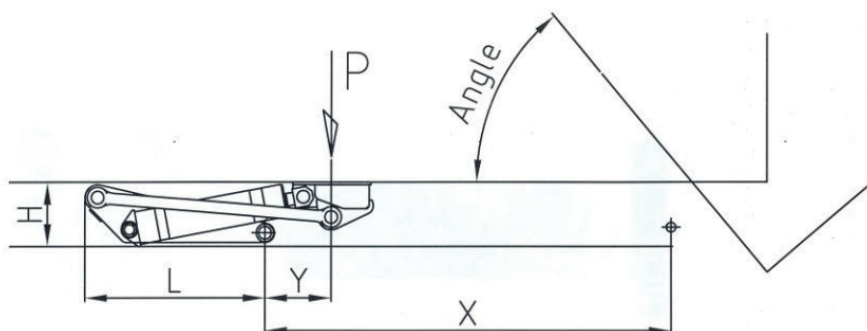
High angle for efficient dumping

RELIABILITY

Pre-piped compass with safety valve and integrated load retention

STRENGTH

High-performance steel (HTS)



Type	GVW	Pressure 350 bar (T)	L (mm)	H (mm)	Y (mm)	Width (mm)	Weight (kg)	Oil. volume (L)	x (mm)	Angle (°)	
5S100/700 & 5S100/800	14T 2 axles	10 200	1 080	350	500	470	185	6	2400	59	
									2500	57	
									2600	54	standard
									2700	52	
									2800	50	
5S180	19T 2 axles	18 000	1 080	375	550	410	235	11	2350	59	
									2450	57	
									2550	54	standard
									2650	52	
									2750	50	
5S250	26T 2 axles	25 000	1 080	400	550	450	312	15	2350	60	
									2450	58	
									2550	56	standard
									2650	54	
									2750	52	
5S310	> 26T 3 and 4 axles	29 000	1 130	400	415	500	425	19	2350	59	
									2450	56	
									2550	54	standard
									2650	52	
									2750	50	
5S330	32T 4 axles	32 000	1 340	480	315	500	500	22	2650	56	
									2750	54	
									2850	52	standard
									2950	50	
									3050	48	
5S500	>32T 4 axles	43 000	1 450	480	470	620	740	31	2800	57	
									2900	56	
									3000	54	
									3100	53	standard
									3200	51	

The values and sketches indicated are not contractual. We give ourselves the right to modify them without notice.
Marrel technicians are at your service to recommend the best choice for your application